

Manufacturer of **Custom**
Mil-Spec
COTS Display Solutions



RFT-20-2U-MIL-CAT5

2U 20" LCD/Sealed Keyboard & CAT5 KVM Switch

THE RFT-20-2U-MIL-CAT5 IS ENGINEERED FOR MILITARY USE AND HARSH CONDITIONS. IT IS BUILT TO MIL-SPECS 810 AND 167. THE INTERLOCKING CLAMSHELL DESIGN PREVENTS SIDE-TO-SIDE MOVEMENT OF TOP AND BOTTOM PIECES IN A STORED POSITION UNDER HEAVY VIBRATION. THE ENTIRE UNIT IS ONLY 16.5" DEEP. IT IS EQUIPPED WITH AN INTEGRATED CAT5 KVM SWITCH (NOT KVM OVER IP) WHICH SUPPORTS UP TO 16 SERVERS. ALSO, IT COMES WITH A 20" HIGH RESOLUTION LCD WHICH SUPPORTS RESOLUTIONS UP TO 1600X1200. IT IS COMPATIBLE WITH BOTH WINDOWS, SUN MICROSYSTEMS, AND MAC.



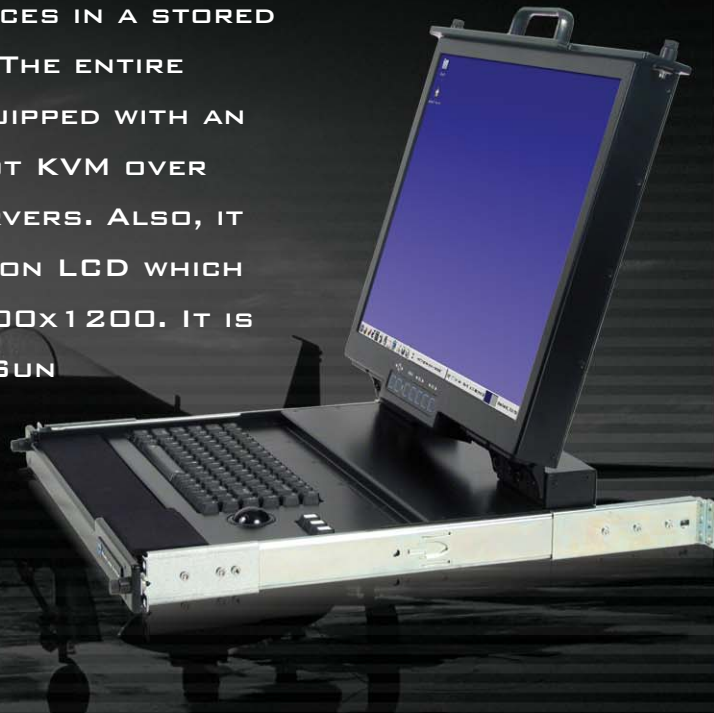
PRODUCTS

RFT-20-2U-MIL-CAT5: 2U 20" LCD & CAT5 KVM SWITCH



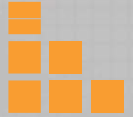
KEY FEATURES

- Entire unit is only 16.5" deep.
- Built to MIL-SPECS 810 and 167.
- USB and PS/2 connectors.
- Entire unit only 1U (1.75") high.
- Native 1600 x 1200 resolution.
- 3-button optical trackball.
- NEMA sealed front 2mm protective glass for LCD.
- Windows, Sun, Unix, Linux, OS/2, X Windows & Apple compatible.
- 28 and 48-volt DC and 400Hz power supply options.
- 2-Year Parts and Labor Warranty.



RFT-20-2U-MIL-CAT5:

2U 20" LCD/Sealed Keyboard & CAT5 KVM Switch



PRODUCTS

TARGET

LCD TECHNOLOGY

LCD Technology:

- Active matrix TFT color LCD
- 20.1" diagonal screen size
- 1600 x 1200 addressable pixels
- 0.294mm pixel pitch
- 300cd/m² (typ.) brightness
- 600:1 (typ.) contrast ratio
- Tr: 30ms / Tf: 25ms (typ.)
- L/R=80° / 80°, U/D=80° / 80° viewing angle
- 50,000 hours life (min.)

Display Resolution:

1600 pixels(H) x 1200 lines(V)

Active Display Area:

376.32mm(H) x 301mm(V)

Displayable Color:

16.7M colors

Horizontal Scan:

31.5kHz to 80kHz

Vertical Refresh: 56Hz to 75Hz

Pixel Frequency: 135MHz

Compatibility:

- PC - IBM - Linux: Up to 1600 x 1200 non-interlaced
- Apple Macintosh: Up to 1600 x 1200
- Sun Microsystems/Unix: 1600 x 1200 including 1152 x 900, 66 / 76Hz

Input Signal:

- Video: analog RGB 0.7 Vp-p
- Sync: separate sync, composite sync, sync. on green

Auto-adjustment: Yes

I/O Connectors:

- DC power in . VGA in D-sub 15 pin

Power Consumption:

55 watt (max.), < 5 watt (off mode)

LCD Agency approval:

FCC-B, CE-B, VCCI-II, BSMI, CCIB, UL, CUL, TUV, CB, TCO' 99

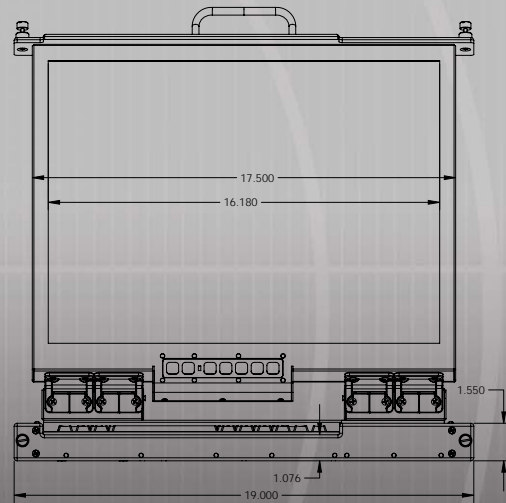
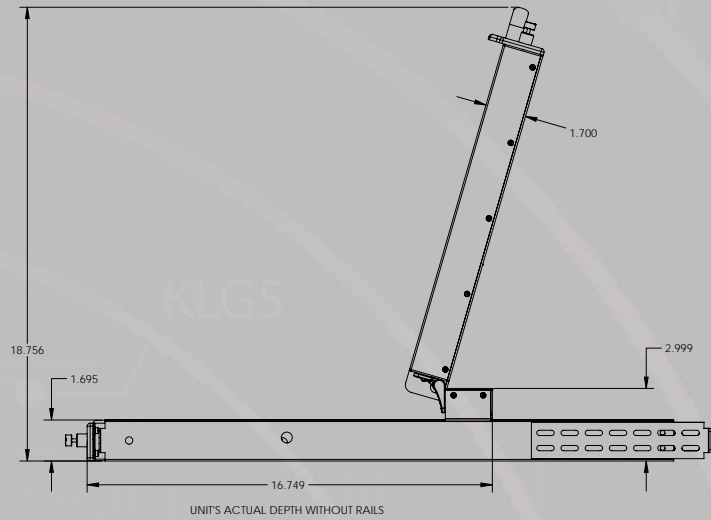
Operating Temperature:

0°~40°C / 32°~104°F . Humidity: 80% maximum

Storage Temperature:

-20°~60°C / -4°~140°F . Humidity: 95% max.

Weight: 32lbs.



www.NLSdisplays.com

Sales and Product : sales@nlsdisplays.com



NEURO LOGIC SYSTEMS, INC.

451-C CONSTITUTION AVE. CAMARILLO, CA 93012

T 1.805.389.5435 | F 1.805.389.5436