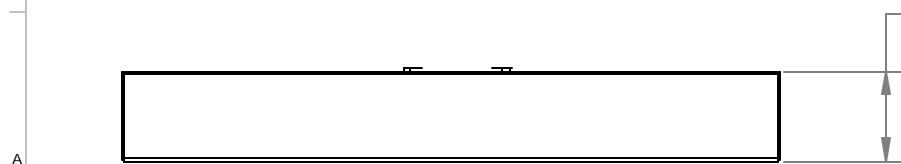
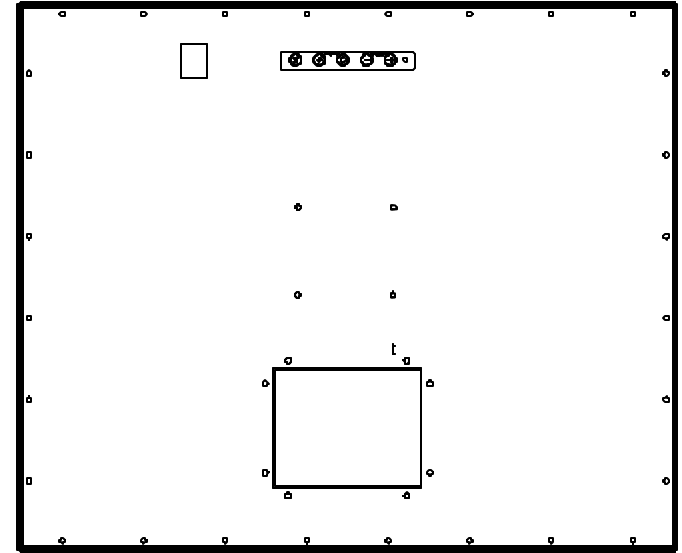
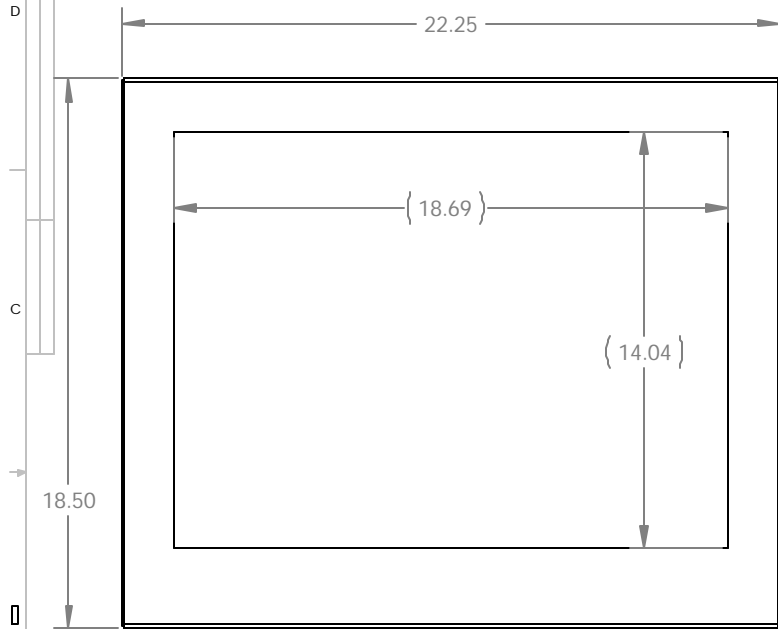


THE INFORMATION CONTAINED IN THIS DRAWING IS THE SOLE PROPERTY OF NEUROLOGIC SYSTEMS ANY REPRODUCTION IN PART OR WHOLE WITHOUT THE WRITTEN PERMISSION OF NEUROLOGIC SYSTEMS IS PROHIBITED.

REVISIONS			
REV.	DESCRIPTION	DATE	APPROVED
1	INITIAL RELEASE	XX/XX/XX	XXXX



ITEM NO.	PART OR IDENTIFYING NO.	NOMENCLATURE OR DESCRIPTION	MATERIAL SPECIFICATION	QTY RECD
PARTS LIST				
UNLESS OTHERWISE SPECIFIED DIMENSIONS ARE IN INCHES TOLERANCES ARE:		CAD GENERATED DRAWING. DO NOT MANUALLY UPDATE		
FRACTIONS	DECIMALS	ANGLES	APPROVALS	DATE
±	.XXX, .XX, .X	+ .1	DRAWN MIKE TREJO	09/19/2001
MATERIAL	---	---	CHECKED	---
XXX-XX-XXXX	XXX-XX-XXXX	---	RESP ENG	---
NEXT ASSY	USED ON	---	MFG ENG	---
APPLICATION	DO NOT SCALE DRAWING	---	QUAL ENG	---

Neuro Logic Systems <i>Interactive Touch and Display Systems</i>		CF-23
SIZE DWG. NO.	CF-23	REV. A
SCALE	CAD FILE: ASSEM2	SHEET 1 OF 1