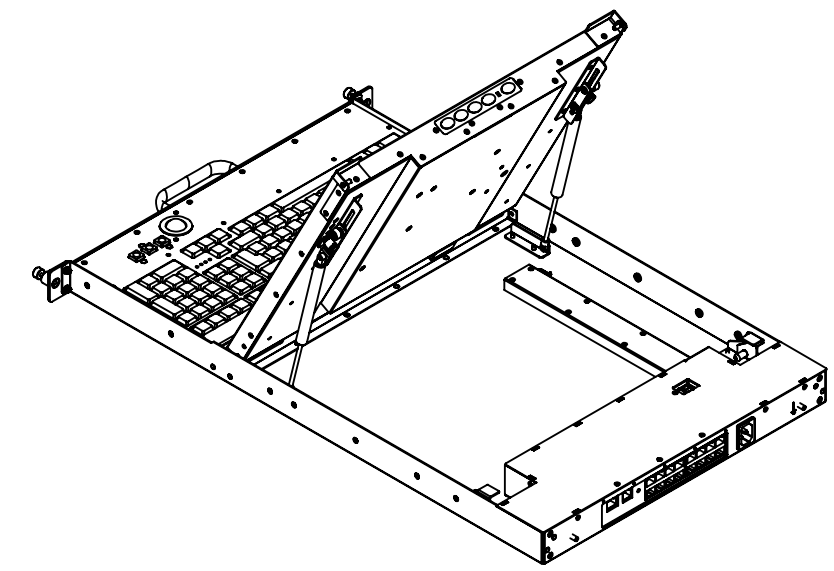
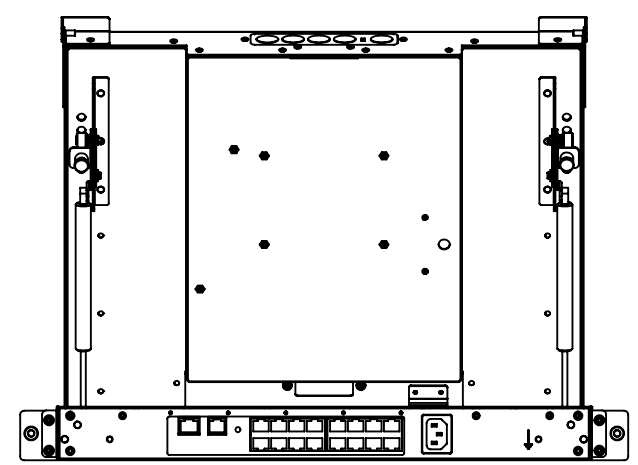
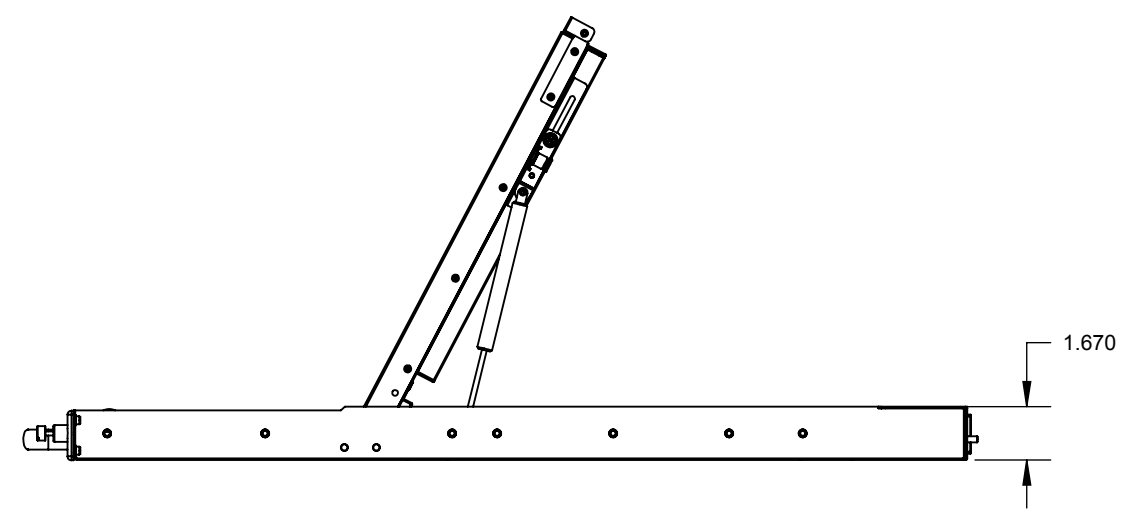
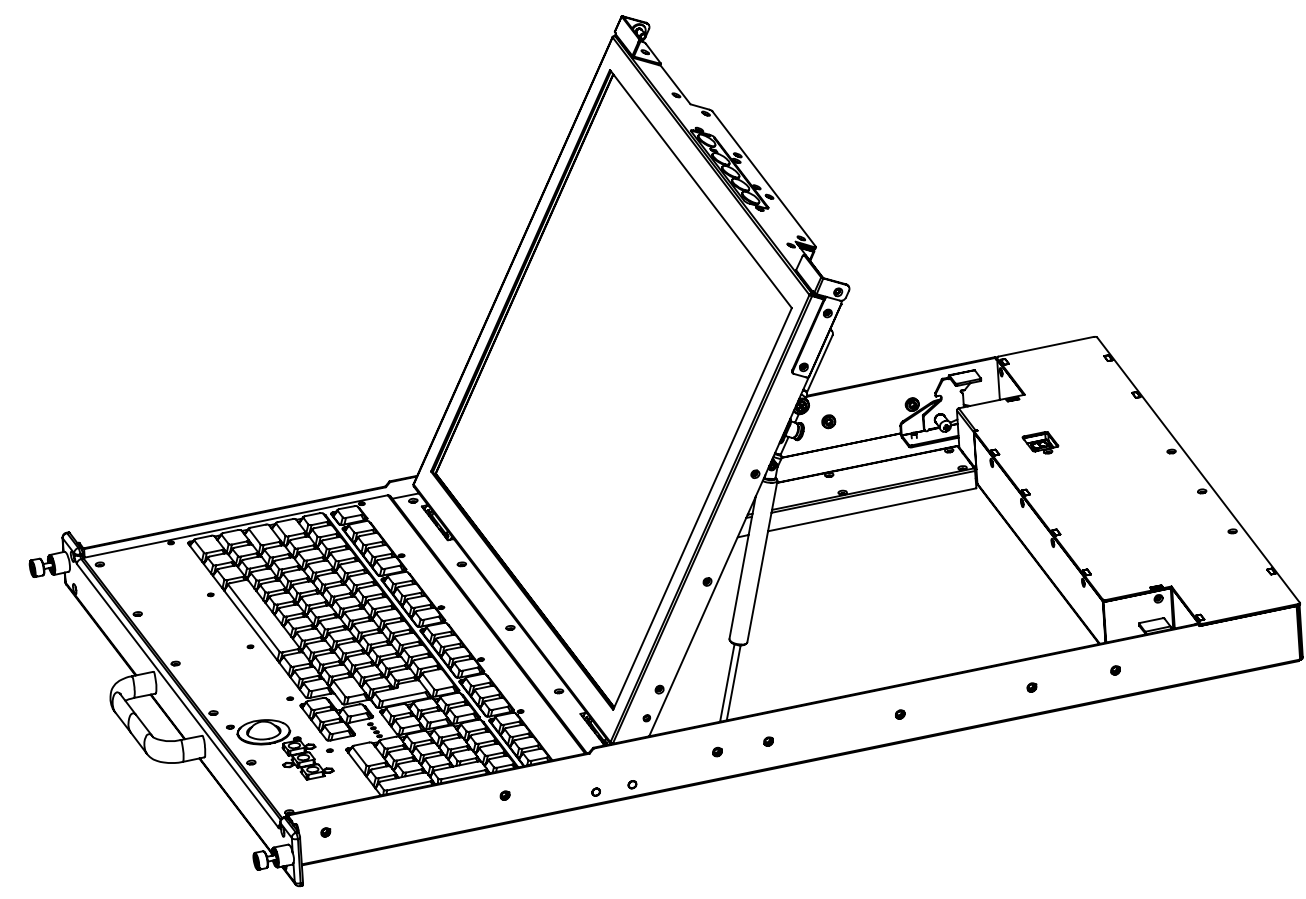
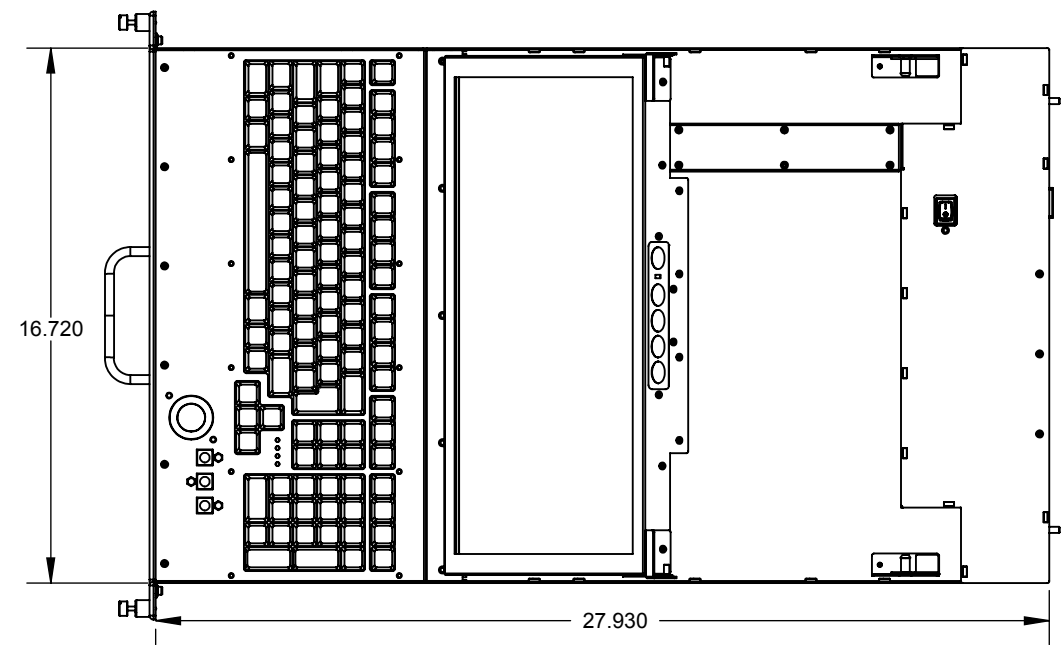


8 7 6 5 4 3 2 1

D
C
B
A



8 7 6 5 4 3 2 1

<small>UNLESS OTHERWISE SPECIFIED DIMENSIONS ARE IN INCHES. TOLERANCES ARE: XX=± 0.010 XXX=± 0.0100 ANGLES=± 0.5°</small>	APPROVALS	DATE		451-C Constitution Ave. Camarillo, CA 93012 805-389-5435, 5436 FAX	
	DRAWN: VILLEGAS JOSE	8/31/2009			TITLE:
	CHECKED:		RFT2-19-MIL-CAT5AS		
	MATERIAL:	APP'D:	SIZE DWG. NO. B C062-19-10400	REV.	
	PLATING:	This drawing and specifications herein are the property of Neuro Logic Systems, Inc. and shall not be reproduced or copied or used in whole or in part as the basis for the manufacture or sale of items without written permission.		SCALE 1:8	DO NOT SCALE DRAWING
FINISH:			Sheet 1 OF 1		