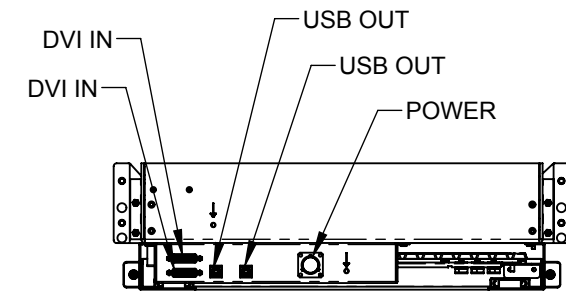
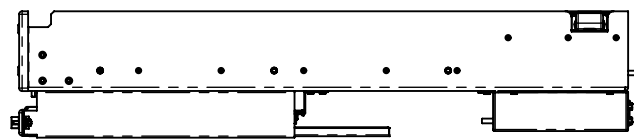
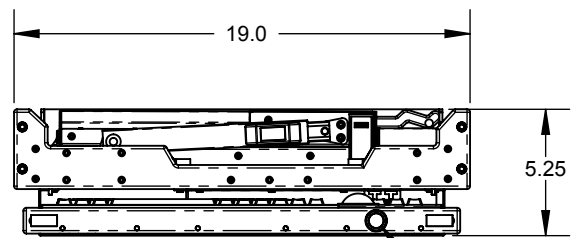
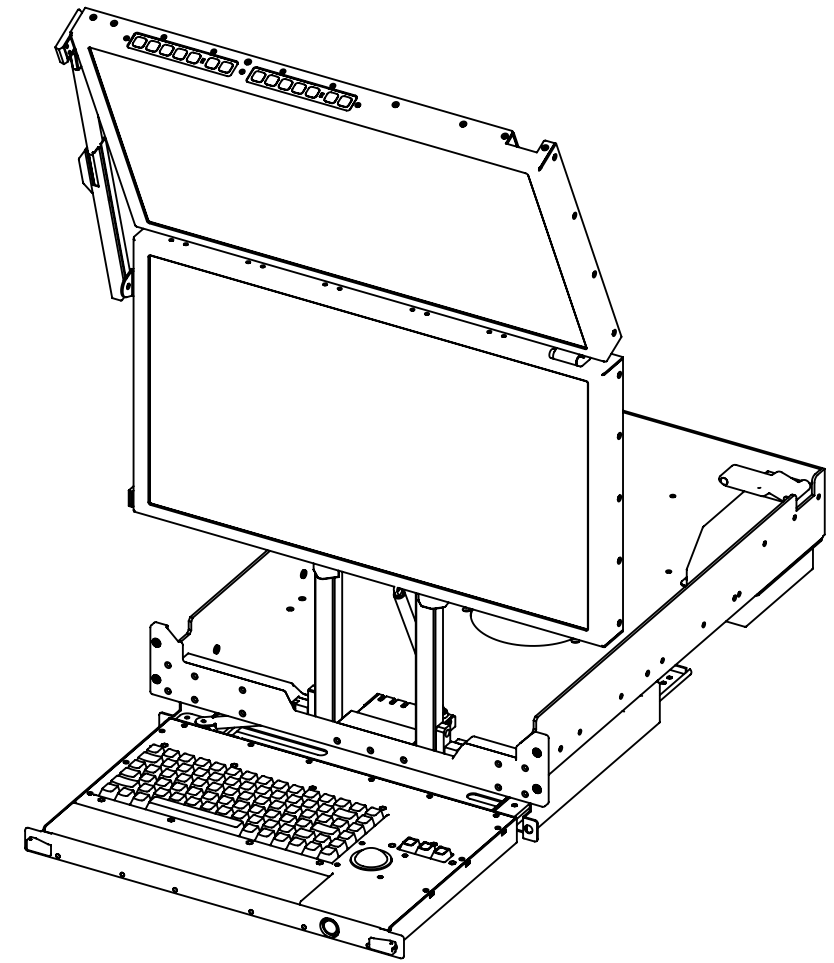
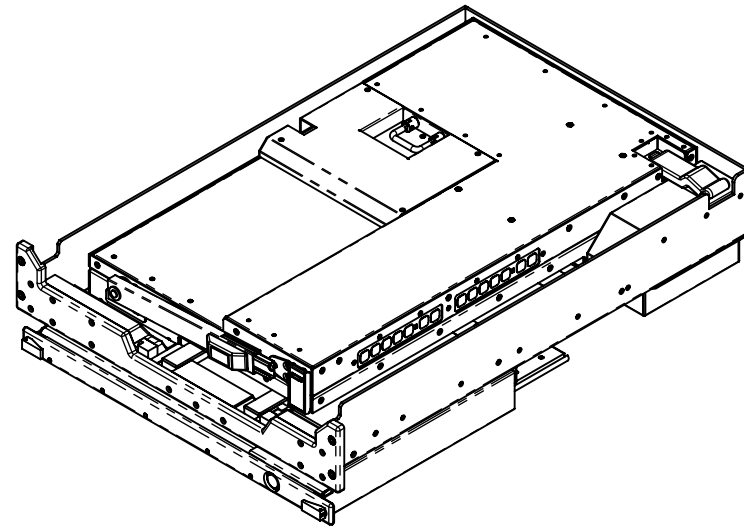
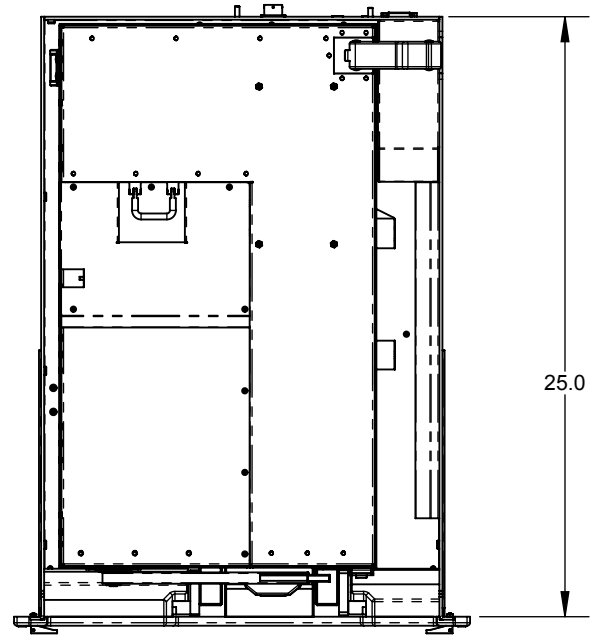



DISCLAIMER: THE INFORMATION SHOWN ON THIS DOCUMENT IS AN ARTIST IMPRESSION AND IS INDICATIVE ONLY FOR THE PURPOSES OF CONSULTATION TO ASSIST IN THE PRELIMINARY PHASE OF PROJECT DESIGN AND PLANNING.



UNIT CLOSED

ON/OFF

PROPRIETARY AND CONFIDENTIAL
 THIS DOCUMENT AND THE DATA ENCLOSED HEREIN OR HERewith IS NOT TO BE REPRODUCED, USED OR DISCLOSED IN WHOLE OR IN PART TO ANYONE WITHOUT PERMISSION OF NEURO LOGIC SYSTEMS, INC.
 ©COPYRIGHT Neuro Logic Systems, Inc. 2015 All Rights Reserved.

APPROVALS		DATE	 451-C Constitution Ave. Camarillo, CA 93012 805-389-5435, 5436 FAX
DRAWN:			
CHECKED:			
APPD:			TITLE: RFT2-2L-24-DVI-USB ASSEMBLY
<small>This drawing and specifications herein, are the property of Neuro Logic Systems, Inc. and shall not be reproduced or copied or used in whole or in part as the basis for the manufacture or sale of items without written permission.</small>			SIZE DWG. NO. B RFT2-2L-24-DVI-USB
			REV.
DO NOT SCALE DRAWING			